

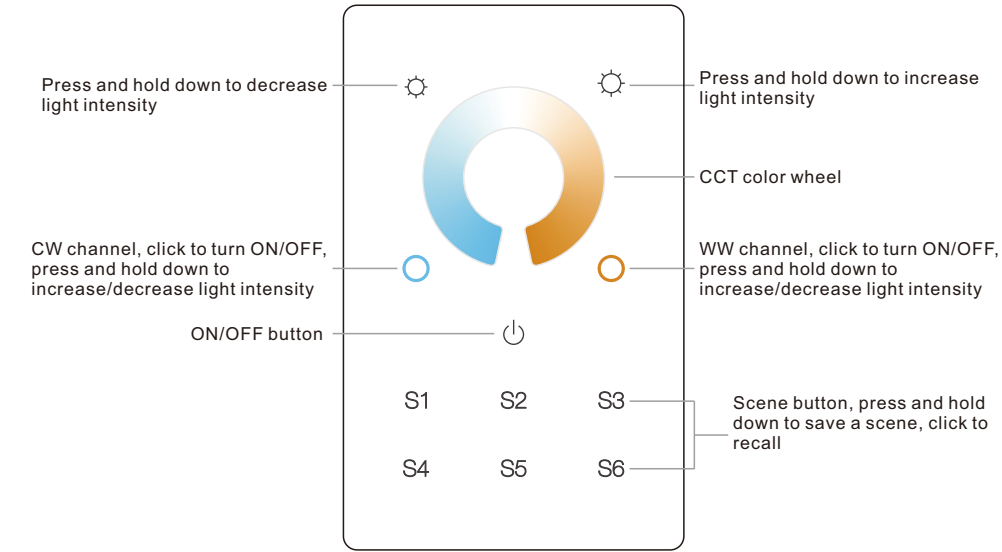
DT6 DALI Dual Color Touch Controller

09.230WU.04152

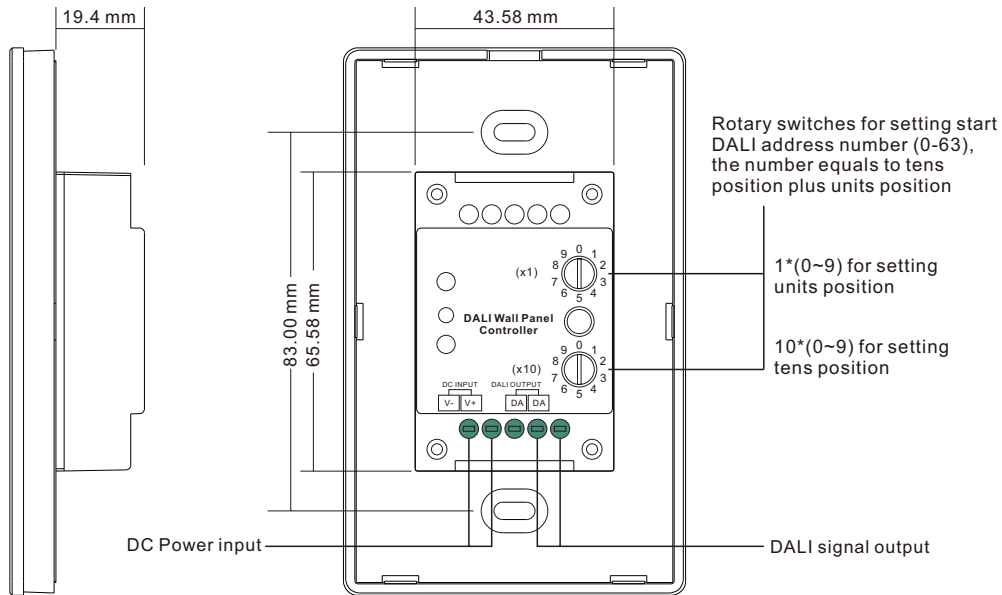


Important: Read All Instructions Prior to Installation

Function introduction



Front side



Back side

Product Data

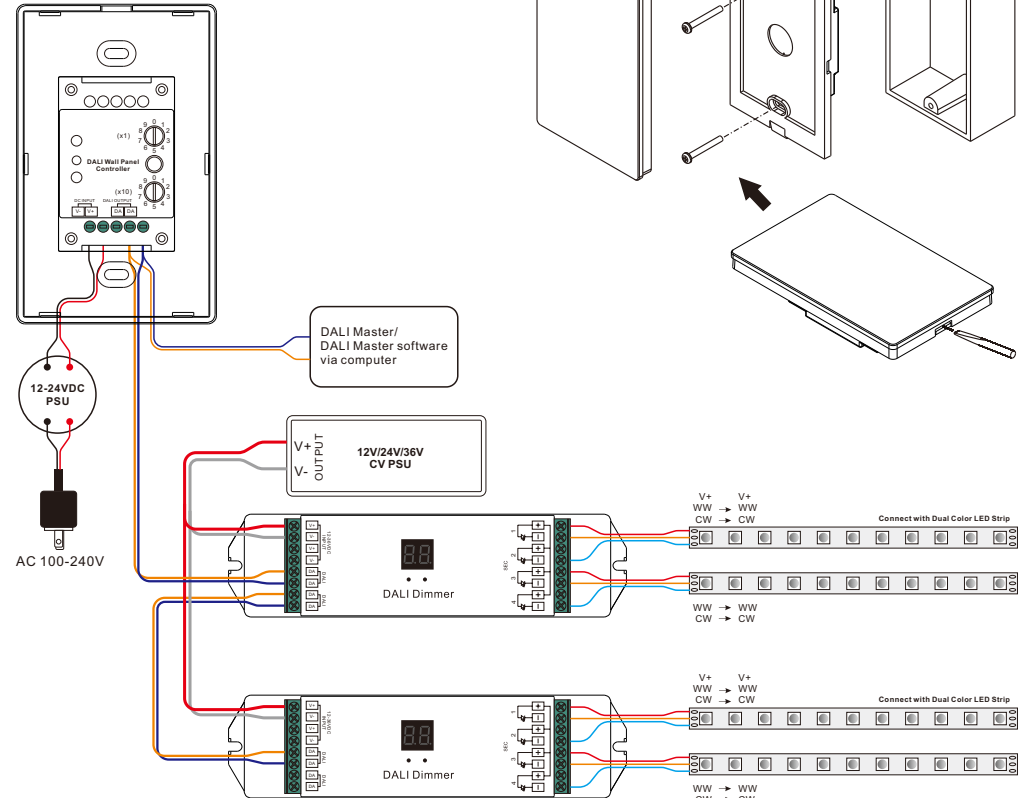
Output Signal	DALI signal
Power Supply	12-24VDC
Power consumption	< 20 mA
DALI consumption	4 mA
Operating temperature	0-40°C
Relative humidity	8% to 80%
Dimensions	75x120x29.1mm

- Touch sensitive.
- Glass interface(white & black).
- Comply to DALI standard protocol IEC 62386-102, IEC 62386-207 and in compliance with DALI products from other international incorporation.
- 1 light zone are available for switch, dimming and CCT control, each zone can control 2 DALI addresses.
- Enable to set start DALI address number (0-63) to be controlled by rotary switches on the back.
- Enable to save 6 scenes

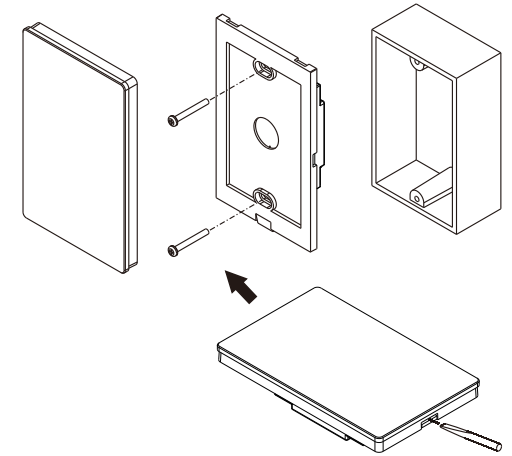
Safety & Warnings

- DO NOT install with power applied to device.
- DO NOT expose the device to moisture.

Wiring diagram



Installation



Operation

Set start DALI address number to controlled by rotary switches on the back:

Set the number as X (0-63):

The controller will control DALI addresses X and X+1.

Note: if X is set as 63, the controller will control DALI address 63 and 00.